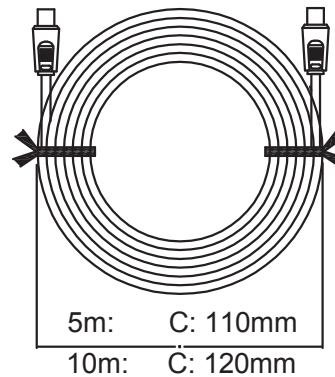


0.5m: A: 60mm; B: 120mm
 1m: A: 60mm; B: 120mm
 2m: A: 70mm; B: 140mm
 3m: A: 70mm; B: 140mm



5m: C: 110mm
 10m: C: 120mm

E:\Laceys.tv\TV\3c2v.jpg

NOTE:

Electrical test
 100% open short & miss wire test;

MATERIAL LIST

NO.	ITEM NO.	EAN CODE:	L
1	CA1060	4052792008944	1,5m
2	CA1061	4052792008951	2,5m

NOTE:

1. TESTING: 100% OPEN AND SHORT AND MISWIRE TEST.
2. INSULATION RESISTANCE: 100Meg Ohm.
3. WITHSTAND VOLTAGE: 500 VOLTS RMS, 1 MINUTE.
4. OPERATING TEMPERATURE RANGE: -20 ! TO + 75! .
5. 100% RoHS COMPLIANT.

⑦	PRINTING	3C-2V 75 OHM COAXIAL CABLE DOUBLE SHIELDED							
⑥	POLY BAG	PE, COLOR: TRANSPARENT	1						
⑤	CABLE	3c2v cable, inner conductor: 0.5mm ccs+ 2.8FPE+AL+32*0.1 ccs braiding, OD: 5.0mm, braiding with plug shell 100% connect,for 100Hz devices.							
④	MOLD HOOD	ROHS PVC, COLOR: BLACK	1		DRAW No.		NAME	Antenna cable, male to female	
③	MOLD HOOD	ROHS PVC, COLOR: BLACK	1		CUSTOMER	2direct GmbH		MAPE	TOLERANCE
②	CONNECTOR	TV PLUG TO TV Jack NICKEL PLATED	1		CUSTOMER No.			X. 1.00	X.X 0.50
①	CONNECTOR	TV PLUG TO TV Jack NICKEL PLATED	1		APPROVE BY	CHECK BY	DRAW BY	SCALE	MM
No.	PART NAME	DESCRIPTION	QTY	REMARK				PAGE	1/2

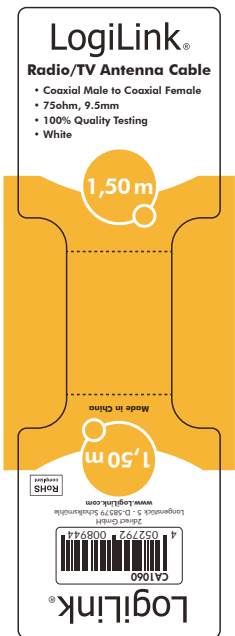
PACKING DRAW



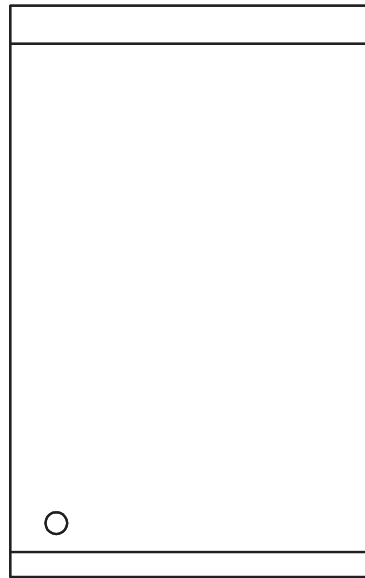
⑥

1PCS/BAG

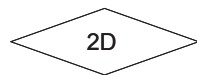
STICKER



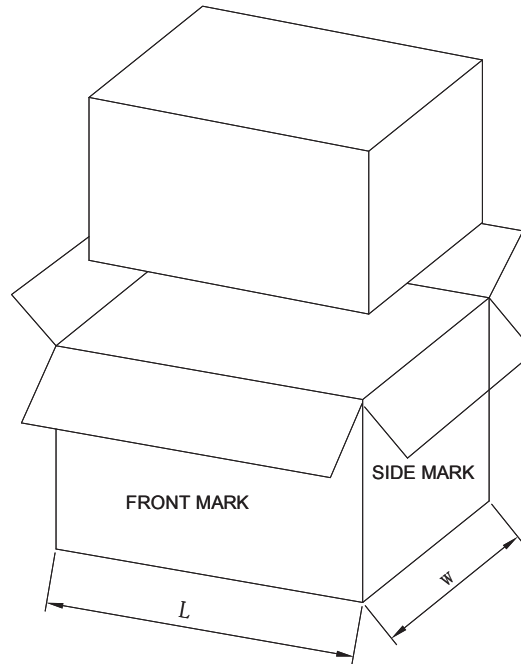
Pantone 1235C, Black
Size: 48x150 mm R= 2mm
材質: 80P銅版紙, 上亮PP(光膠)



OUTER CARTON
FRONT MARK:

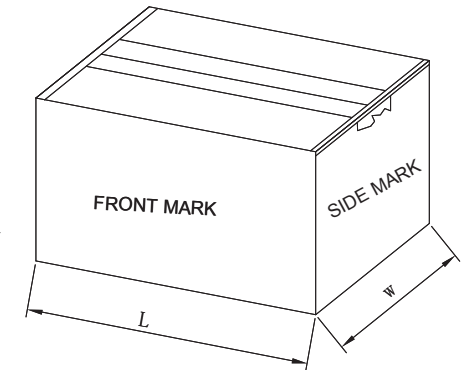


GERMANY
C/NO.:DW 01,02...
MADE IN CHINA



OUTER CARTON
SIDE MARK:

PO NO.:
ITEM NO.:
Q.TY: PCS
N.W: KGS
G.W: KGS
Dimension:
EAN CODE:



! " # shaped packaging
three packaging tape

NOTE:

Electrical test
100% open short & miss wire test;

DRAW No.		NAME	Antenna cable, male to female		
CUSTOMER	2direct GmbH		MAPE	TOLERANCE	
CUSTOMER No.			X.	1.00	
			X.X	0.50	
APPROVE BY	CHECK BY	DRAW BY	SCALE	MM	
			PAGE	2/2	

No.	PART NAME	DESCRIPTION	QTY	REMARK
-----	-----------	-------------	-----	--------