

Canovate 19" Network Cabinet

This floor standing cabinet is a cost effective network rack cabinet system fulfills high density cabling and data center requirements. Helps simplify cable installation and maintenance while providing maximum cable capacity for your high-density cabling requirements. A wide range of cable management accessories is available to ensure perfect management of copper, fiber cables and 19" equipment.

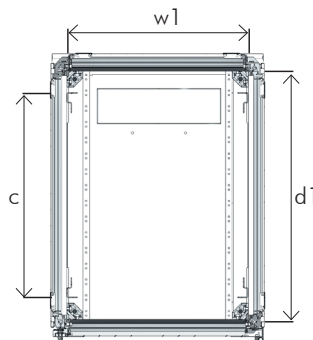
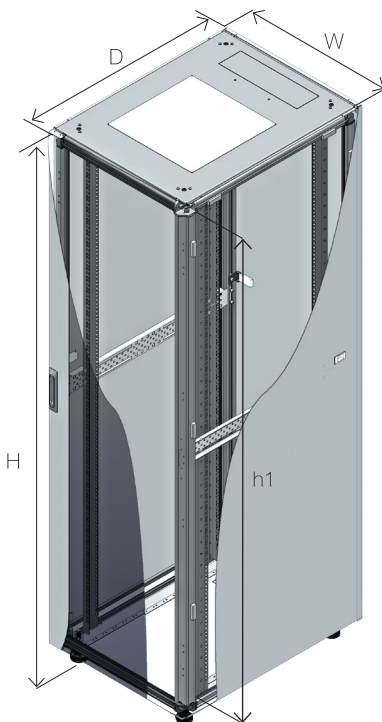


Technical Features

Material:	1.2 - 1.5 mm steel
Maximum Static Load:	Up to 1500 kg, depending on model
Finish:	Electrostatic powder paint / Zinc-plated 19" rails
Color:	RAL 7035 light grey or RAL 9005 black

Standard Configuration

- Front door with safety glass and swing-handle single point lock
- Solid side and rear panel with cylindrical lock and latches
- Internal top sheet with 3 cable entries and fan cut-outs
- 2 pairs of depth adjustable heavy duty 19" mounting rails
- Internal bottom sheet, 2 pairs of adjustable feet
- Color: RAL 7035 light grey or RAL 9005 black
- UL- and Gost-R certified



* The specifications and pictures are subject to change without notice.
 *All trade names referenced are the registered trademark of their respective owners.

Canovate 19" Network Cabinet - RAL 9005 Black

Height U	Outer Width (W) mm	Outer Depth (D) mm	Outer Height (H) mm	Inner Height (h1) mm	Inner Width (w1) mm	Inner Depth (d1) mm	19" Rails Adjustable Depth Range (c) mm	Weight kg	Part No.	EAN Code
16U	600	600	878	718	503	550	123 - 373	53	D16S66B	8698800000027
16U	600	800	878	718	503	750	123 - 573	61	D16S68B	8698800000102
22U	600	600	1144	984	503	550	123 - 373	63	D22S66B	8698800000041
22U	600	800	1144	984	503	750	123 - 573	71	D22S68B	8698800000126
22U	600	1000	1144	984	503	950	123 - 773	85	D22S61B	8698800000188
22U	800	800	1144	984	703	750	123 - 573	73	D22S88B	8698800000249
22U	800	1000	1144	984	703	950	123 - 773	74	D22S81B	8698800000300
32U	600	600	1588	1428	503	550	123 - 373	78	D32S66B	8698800000065
32U	600	800	1588	1428	503	750	123 - 573	88	D32S68B	8698800000140
32U	600	1000	1588	1428	503	950	123 - 773	90	D32S61B	8698800000201
32U	800	800	1588	1428	703	750	123 - 573	103	D32S88B	8698800000263
32U	800	1000	1588	1428	703	950	123 - 773	105	D32S81B	8698800000324
42U	600	600	2033	1873	503	550	123 - 373	94	D42S66B	8698800000089
42U	600	800	2033	1873	503	750	123 - 573	106	D42S68B	8698800000164
42U	600	1000	2033	1873	503	950	123 - 773	114	D42S61B	8698800000225
42U	800	800	2033	1873	703	750	123 - 573	122	D42S88B	8698800000287
42U	800	1000	2033	1873	703	950	123 - 773	140	D42S81B	8698800000348

Canovate 19" Network Cabinet - RAL 7035 Light Grey

Height U	Outer Width (W) mm	Outer Depth (D) mm	Outer Height (H) mm	Inner Height (h1) mm	Inner Width (w1) mm	Inner Depth (d1) mm	19" Rails Adjustable Depth Range (c) mm	Weight kg	Part No.	EAN Code
16U	600	600	878	718	503	550	123 - 373	53	D16S66G	8698800000010
16U	600	800	878	718	503	750	123 - 573	61	D16S68G	8698800000096
22U	600	600	1144	984	503	550	123 - 373	63	D22S66G	8698800000034
22U	600	800	1144	984	503	750	123 - 573	71	D22S68G	8698800000119
22U	600	1000	1144	984	503	950	123 - 773	85	D22S61G	8698800000171
22U	800	800	1144	984	703	750	123 - 573	73	D22S88G	8698800000232
22U	800	1000	1144	984	703	950	123 - 773	74	D22S81G	8698800000294
32U	600	600	1588	1428	503	550	123 - 373	78	D32S66G	8698800000058
32U	600	800	1588	1428	503	750	123 - 573	88	D32S68G	8698800000133
32U	600	1000	1588	1428	503	950	123 - 773	90	D32S61G	8698800000195
32U	800	800	1588	1428	703	750	123 - 573	103	D32S88G	8698800000256
32U	800	1000	1588	1428	703	950	123 - 773	105	D32S81G	8698800000317
42U	600	600	2033	1873	503	550	123 - 373	94	D42S66G	8698800000072
42U	600	800	2033	1873	503	750	123 - 573	106	D42S68G	8698800000157
42U	600	1000	2033	1873	503	950	123 - 773	114	D42S61G	8698800000218
42U	800	800	2033	1873	703	750	123 - 573	122	D42S88G	8698800000270
42U	800	1000	2033	1873	703	950	123 - 773	140	D42S81G	8698800000331



* The specifications and pictures are subject to change without notice.
 *All trade names referenced are the registered trademark of their respective owners.