



Cat.5e RJ45 Plug Connector, unshielded

Part no.: MP0002

Technical Features

For unshielded Cat.5e round cable

With gold plated pins

For stranded wire

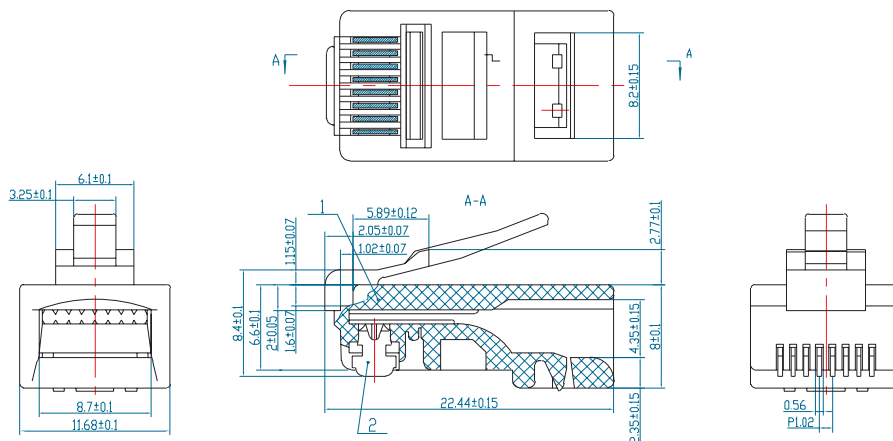
Diameter of conductor with insulation (PE): 0.85mm up to 0.97mm

Diameter of cable sheath: 4.8mm up to 5.8mm

Set with 100 pcs each

RAL7035 Light Grey or RAL9005 Black

Technical Drawings



MP0002



www.logilink.de



RoHS
compliant



* The specifications and pictures are subject to change without notice.
* All trade names referenced are the registered trademark of their respective owners.

Package Contents

100pc x Cat.5e RJ45 plug connector

Packaging Informations

Packing Dimension	180 x 220mm
Packing Weight	0.16kg
Carton Dimension	500 x 350 x 270mm
Carton Q'ty	100pcs
Carton Weight	17kg

MP0002



4 260113 569993
Made in China

www.logilink.de



RoHS
compliant



* The specifications and pictures are subject to change without notice.
*All trade names referenced are the registered namework of their respective owners.