



10" Cat.6 Patch Panel 12 Ports STP

Technical Features

Category 6 Class E 250 MHz

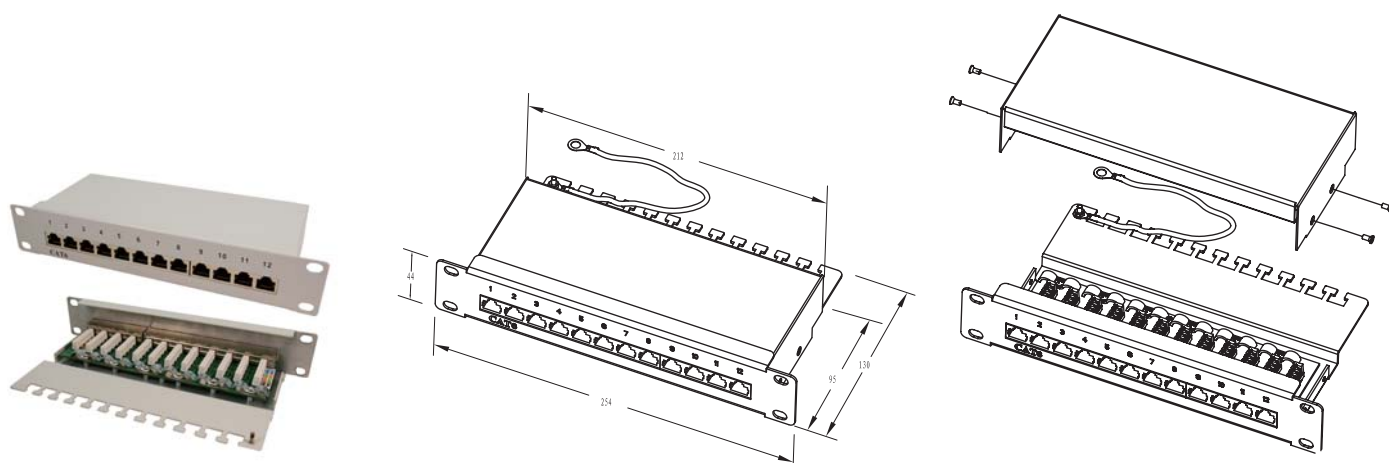
ISO/IEC 11801 and TIA/EIA-568-C.2

12 shielded RJ45 jacks

Steel housing RAL 7035 Light Grey or RAL 9005 Black

10" rack mounting, 1U

Technical Drawings



www.logilink.de



RoHS
compliant



Made in China

* The specifications and pictures are subject to change without notice.
*All trade names referenced are the registered trademark of their respective owners.

Part no.	Color	EAN Code
NP0041	Light Grey	4052792003987
NP0046	Black	4052792040258



Package Contents

10" Cat.6 Patch Panel 12 Ports STP x 1

Packaging Informations

Packing Dimension	270 x 130 x 45mm
Packing Weight	0.95g
Carton Dimension	390 x 305 x 280mm
Carton Q'ty	10pcs
Carton Weight	10.5kg