



19" Cantilever Shelf 1U

Technical Features

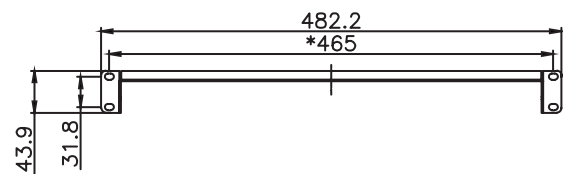
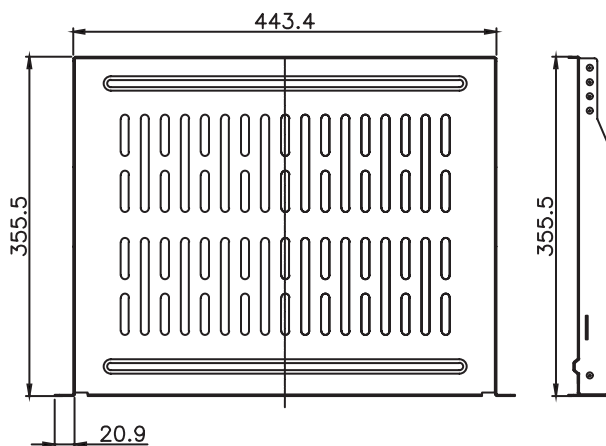
1U Cantilever Shelf, d=350mm

Material: 1,5mm Steel

Max. Static Load: 10kg

Part No.	Color	EAN Code
SF1C45B	Black	4052792046687
SF1C45G	Grey	4052792046847

Technical Drawings



Package Contents

1 x 19" Cantilever Shelf 1U

Packaging Informations

Packing Dimension	482 x 355 x 44mm
Packing Weight	1.8kg
Carton Dimension	560 x 410 x 340mm
Carton Q'ty	5pcs
Carton Weight	10kg

