



19" Wall-mounted single section box, disassembled

Technical Features

1.2mm steel

Maximum static load up to 30kg

Electrostatic powder paint

RAL 7035 light grey or RAL 7021 dark grey colors

Product dimensions are 6/9/12/15 U, 540mm width and 450mm depth

Glass door with cylindrical lock

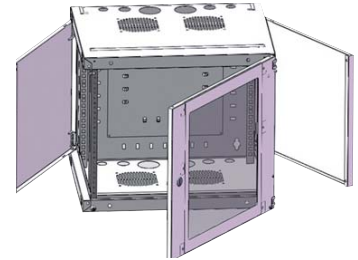
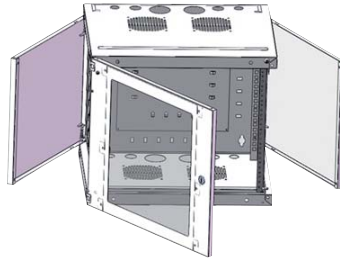
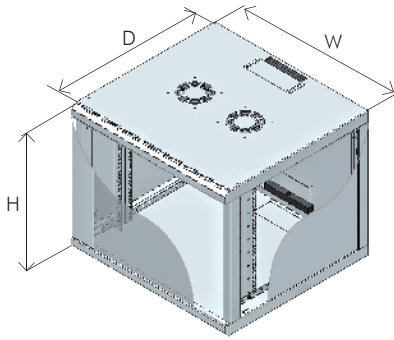
Adjustable 19" profile rails

Cable entry from 3 sides

Disassembled flat pack delivery

Art-No. Dark Grey = B Light Grey = G	Height U	Outer Width (W) mm	Outer Depth (D) mm	Outer Height (H) mm	19" Rails Adjustable Depth Range (mm)	Weight kg	EAN Code
W06F64B	6U	540	450	330	110-350	14	4052792016321
W06F64G	6U	540	450	330	110-350	14	4052792016314
W09F64B	9U	540	450	460	110-350	17	4052792016345
W09F64G	9U	540	450	460	110-350	17	4052792016338
W12F64B	12U	540	450	595	110-350	20	4052792016369
W12F64G	12U	540	450	595	110-350	20	4052792016352
W15F64B	15U	540	450	725	110-350	25	4052792016383
W15F64G	15U	540	450	725	110-350	25	4052792016376

Technical Drawings



Package Contents

1 x 19" Wall-mounted single section box

Packaging Informations

Packing Dimension	575 x 490 x 210mm (W06F64x) / 590 x 500 x 215mm (W09F64x) / 655 x 570 x 210mm (W12F64x) / 790 x 570 x 210mm (W15F64x)
Packing Weight	14kg (W06F64x) / 17kg (W09F64x) / 20kg (W12F64x) / 25kg (W15F64x)
Carton Dimension	575 x 490 x 210mm (W06F64x) / 590 x 500 x 215mm (W09F64x) / 655 x 570 x 210mm (W12F64x) / 790 x 570 x 210mm (W15F64x)
Carton Q'ty	1pc
Carton Weight	14kg (W06F64x) / 17kg (W09F64x) / 20kg (W12F64x) / 25kg (W15F64x)



www.logilink.com



RoHS
compliant



Made in China

* The specifications and pictures are subject to change without notice.
*All trade names referenced are the registered trademark of their respective owners.