

Fiber Optic One-Click Cleaning Pen

Part no.: WZ0041

Technical Features

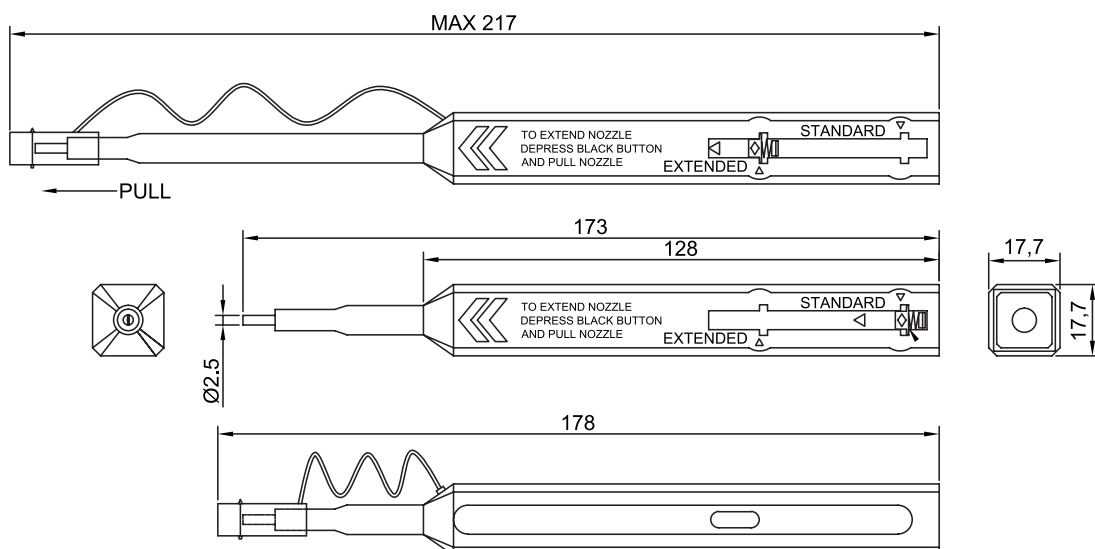
Cleans SC, ST, FC & DIN connectors (with APC/UPC polish)

Applies 2,5 mm ceramic ferrule and sleeve

One action cleaning system up 800 cleanings

Effective with a variety of contaminants

Technical Drawings



WZ0041



4 052792 042962

Made in China

www.logilink.com



RoHS
compliant



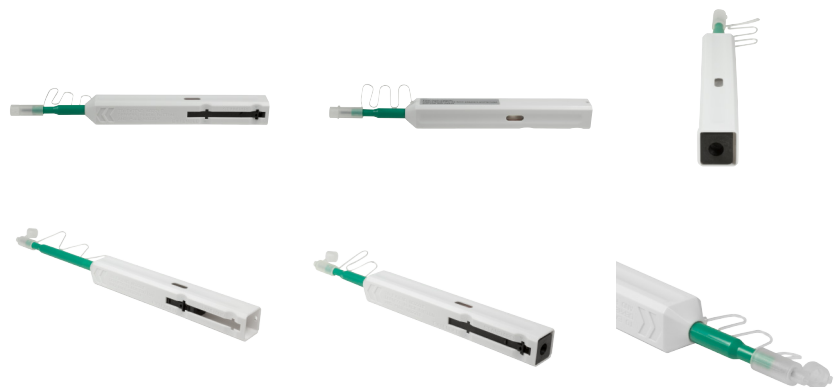
* The specifications and pictures are subject to change without notice.
*All trade names referenced are the registered trademark of their respective owners.

Package Contents

1 x Fiber Optic One-Click Cleaning Pen

Packaging Informations

Packing Dimension	185 x 25 x 25mm
Packing Weight	0.0335kg
Carton Dimension	430 x 270 x 210mm
Carton Q'ty	100pcs
Carton Weight	4.20kg



WZ0041



4 052792 042962

Made in China

www.logilink.com



RoHS
compliant



* The specifications and pictures are subject to change without notice.
*All trade names referenced are the registered trademark of their respective owners.